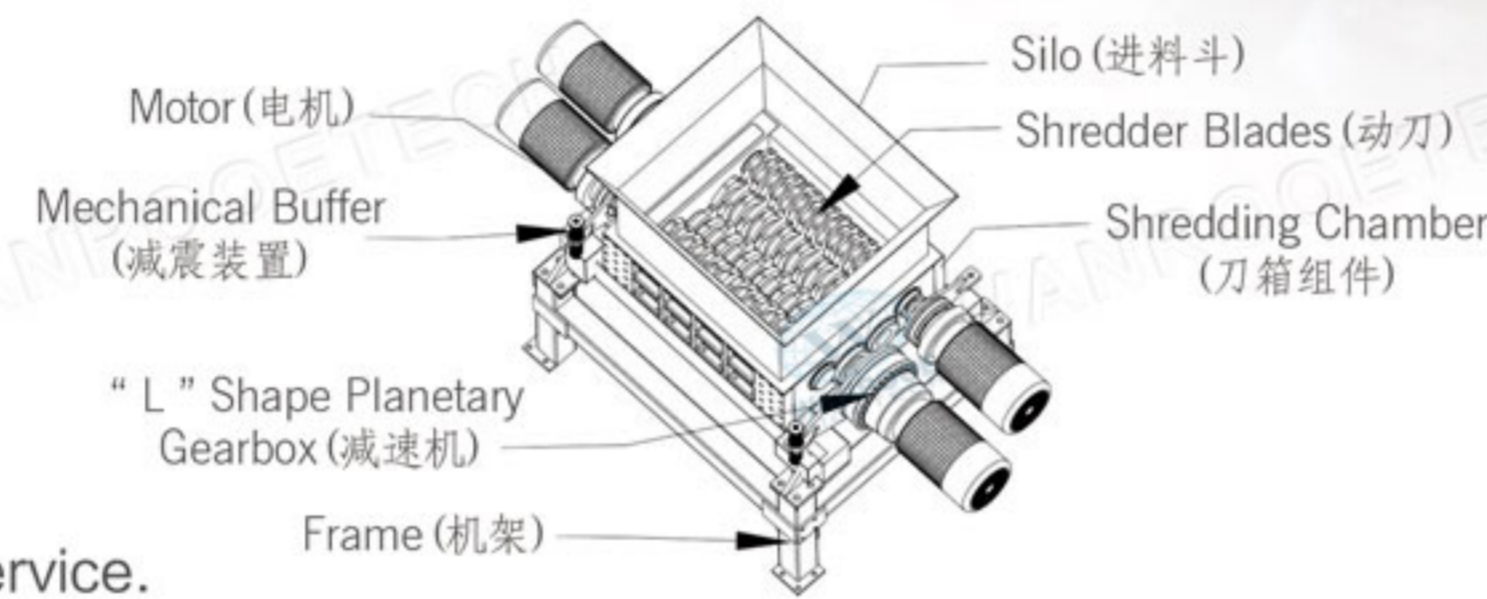


四轴撕碎机

Four Shaft Shredder

Introduction:

1. The machine is suitable to process very big size of plastic material, such as big jar and plastic board and complete set of household appliances and other PE PP pet big bottle and wood and tire and pressing plastic film.
2. The machine with big feeding mouth, it can put the big plastic product freely.
3. The rotary blade and cutting blade and blade edge with special design, it can get very high efficiency and high capacity.
4. The machine is control by PLC system. The blade can rotated in opposite direction, and it also can close automatic if something unexpected happen, with very high safety service.
5. The machine running slowly with low noise and low dusty.
6. Their assistant blades are refined by forging and milling process and their main blades are made of special alloy steel with high strength and strong anti-wear.



产品参数 Specification

	PNFS130100	PNFS130120	PNFS130140	PNFS130180	PNFS160140	PNFS160160	PNFS160200
Motor power(kw)(电机功率)	2X15+2X30	2X15+2X30	2X15+2X37	2X15+2X37	2X30+2X45	2X30+2X45	2X30+2X55
Main blade thickness(mm)(主刀厚度)	50	50	50	50	50	50	50
Main blade tactical diameter(mm)(主刀直径)	φ 430	φ 430	φ 430	φ 430	φ 534	φ 534	φ 534
Number of main blades(pcs)(主刀数量)	20	24	28	36	28	32	36
Main shaft rev(rpm)(主轴转速)	10-15	10-15	10-15	10-15	10-15	10-15	10-15
Screen diameter(mm)(筛网孔径)	φ 60	φ 60	φ 60	φ 60	φ 60	φ 60	φ 60
Cutting chamber(mm)(撕碎室尺寸)	1300X1000	1300X1200	1300X1400	1300X1800	1600X1400	1600X1600	1600X2000
Dimension(LXWXH)(mm)(外形尺寸)	3550X2000X3100	3650X2000X3100	3850X2000X3100	4250X2000X3100	4160X2200X3630	4360X2200X3630	4560X2200X3630
Weight(kg)(重量)	11500	12500	13500	15500	17000	18000	19000

注:撕碎机的撕碎刀轴长度和刀片的回转直径可以根据客户的要求特殊定制,上述参数仅为参考!

Notes:The effect shredding rotor length and also the shredding diameter can be tailor-made.



介绍:

- 1.本机适用于加工大尺寸塑料材料, 如大罐和塑料板, 以及成套家用电器和其他PE PP PET大瓶和木材, 轮胎和压塑薄膜。
- 2.进料口大, 可自由放大塑料制品。
- 3.旋转刀片, 切割刀片和刀刃采用特殊设计, 可以获得很高的效率和高产量。
- 4.机器由PLC系统控制, 刀片可以反向旋转, 如果出现意外情况, 也可以自动关闭, 安全性极高。机器运转缓慢, 噪音低, 也不会尘土飞扬。
- 6.辅助刀片采用锻造, 铣削加工精制而成, 主刀片采用特殊合金钢制造, 强度高, 抗磨损强。

